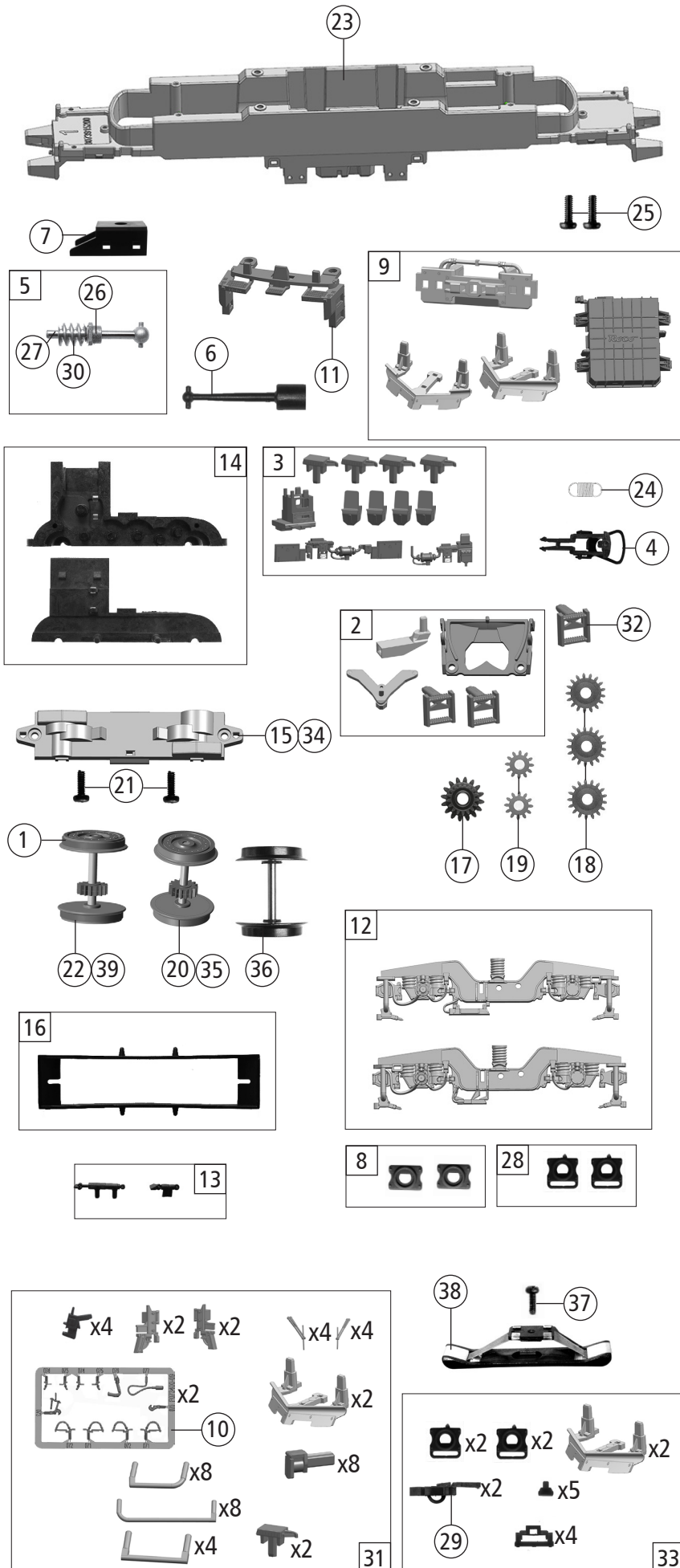


| Pos. Nr.<br>Pos.no. | Beschreibung<br>Description   | Art.-Nr.<br>Art.no. | Preisgruppe<br>Price bracket |
|---------------------|---|---------------------|------------------------------|
| 1                   | Gehäuse kpl.Betr. Nr. 6193 696-2<br>Body ass. compl. Loco no. 6193 696-2          | 149567              | 38                           |
| 2                   | Stirn + Seitenfenster<br>Front + side window                                      | 144603              | 9                            |
| 3                   | TS - Lichtleiter+Scheinwerfer<br>Part set light conductor and headlight           | 141148              | 14                           |
| 4                   | Führerstand + Himmel<br>Driver's cab and ceiling                                  | 141149              | 8                            |
| 5                   | E-Lokführer<br>E-loco driver  | 110407              | 6                            |
| 6                   | TS - Dachgitter, ...<br>Part set roof grid  | 141150              | 10                           |
| 7                   | Antenne kurz<br>Antenna short   | 141151              | 3                            |
| 8                   | Antenne lang<br>Antenna long  | 141200              | 3                            |
| 9                   | Antenne<br>Antenna  | 141152              | 3                            |
| 10                  | Frontplatte<br>Front plate  | 149568              | 8                            |
| 11                  | Türgriff<br>Door handrail   | 141154              | 4                            |
| 12                  | Dachbaugruppe kpl.<br>Roof assy complete  | 149569              | 35                           |
| 13                  | Verteilerplatte<br>Distribution plate   | 141583              | 3                            |
| 14                  | Stromabnehmer Typ 8<br>Pantograph   | 85488               | 23                           |
| 15                  | TS-Wischer links und rechts,Horn<br>Part set wiper left and right,signal horn     | 141155              | 6                            |
| 16                  | TS - Isolatoren<br>Part set isolators   | 141156              | 5                            |
| 17                  | TS - Isolatoren<br>Part set isolators   | 141206              | 6                            |
| 18                  | Dachleitung<br>Roof wires   | 144438              | 10                           |
| 19                  | SK-Schraube M1,6x5 mm<br>SK-Screw   | 115317              | 4                            |
| 20                  | TS - Abdeckungen<br>Part set covers   | 141137              | 4                            |
| 21                  | Platine kpl.m.LED-Platine<br>PCB complete with LED-PCB                            | 145652              | 23                           |
| 22                  | Brückenstecker - Plux16 TVS<br>Jumper - Plux16 TVS                                | 133241              | 10                           |
| 23                  | Motor m. 2 Schwungm.+Kardansch. KM<br>Motor with 2 flywheels and cardan reception | 145556              | 25                           |
| 24                  | Kardanschale kurz 1,5 mm<br>Cardan reception short                                | 87129               | 4                            |
| 25                  | Motorkontaktfeder 14 mm<br>Motor contact spring                                   | 145560              | 4                            |
| 26                  | Motorkontaktfeder 7 mm<br>Motor contact spring                                    | 145561              | 4                            |
| 27                  | Motordämpfer<br>Motor silencer  | 113376              | 4                            |
| 28                  | TS - Lautsprecherbox + Platten<br>Part set loudspeaker box and plates             | 141139              | 5                            |
| 29                  | Puffer eckig<br>Rectangular buffer  | 122789              | 3                            |
| 30                  | GF-Schraube M2x5 mm<br>Self-tapping screw   | 114966              | 3                            |
| 31                  | Motordistanzplatte KM<br>Motor spacer   | 145557              | 4                            |
| 32                  | Steckdose<br>Socket   | 141163              | 3                            |
| 33                  | TS - LZB Antennen<br>Part set antenna   | 122803              | 6                            |
| 34                  | TS - Griffe - schwarz<br>Part set handles black                                   | 142219              | 6                            |
| 35                  | UIC-Dose<br>UIC-socket  | 141559              | 3                            |
| 36                  | Innenbeleuchtung<br>Interior lighting   | 141659              | 4                            |
| 37                  | S-ACT Balisantenne<br>Antennas  | 146560              | 5                            |
| 38                  | TS- Antennen,Flansch<br>Part set -Antenna,flange                                  | 146345              | 9                            |
| <b>Sound</b>        |   |                     |                              |
| 39                  | Platine kpl.m.LED-Platine f. So.<br>PCB complete with LED-PCB f. S.               | 145656              | 24                           |
| 40                  | Sounddecoder - 22 Plux<br>Sound-decoder   | 147377              | 39                           |
| 41                  | Lautsprecher RA 15x11<br>Loudspeaker  | 129524              | 13                           |

Änderungen in Konstruktion und Ausführung vorbehalten  
We reserve the right to change the construction and specification



| Pos. Nr.<br>Pos.no.    | Beschreibung<br>Description   | Art.-Nr.<br>Art.no. | Preisgruppe<br>Price bracket |
|------------------------|---|---------------------|------------------------------|
| 70055                  | CD VECTRON  |                     |                              |
| 70056                  |   |                     |                              |
| 78056                  |   |                     |                              |
| 1                      | Hafrings.10Stk.12,9 bis 14,6m<br>Traction tyre set,10 pcs.                          | 40070               | ---                          |
| 2                      | TS - Kinematik, Deichsel, ...<br>Part set kinematics and drawbar                    | 141136              | 8                            |
| 3                      | TS - Sandkasten, Antenne, ...<br>Part set sand box,antenna                          | 141144              | 7                            |
| 4                      | Standardkupplung<br>Standard coupling   | 89246               | 6                            |
| 5                      | Schneckensatz mit Kardankugel<br>Set of worm gear incl.cardan ball                  | 148576              | 13                           |
| 6                      | Kardanwelle<br>Cardan shaft   | 108332              | 4                            |
| 7                      | Schneckendeckel<br>Worm gear cover  | 122822              | 4                            |
| 8                      | Pufferflansch links und rechts<br>Buffer flange left and right                      | 136487              | 5                            |
| 9                      | TS-Schienenräumer,Trafowanne<br>Part set rail guard,transformer tub                 | 141140              | 12                           |
| 10                     | TS - Bremsschläuche + Zughaken<br>Part set of brake tubes & coupling hooks          | 139832              | 7                            |
| 11                     | Schürze<br>Skirt  | 149566              | 6                            |
| 12                     | DG-Blende li.+re.<br>Bogie frame L+R  | 149570              | 12                           |
| 13                     | TS - Blendesteckt.<br>Set of cover plug-in parts                                    | 122956              | 5                            |
| 14                     | Getriebebesatz 2-tlg.<br>Gear set 2-parts   | 147619              | 11                           |
| 15                     | Getriebeboden<br>Gear bottom  | 147620              | 7                            |
| 16                     | Kontaktalter mit Litzen<br>Contact support with leads                               | 137826              | 9                            |
| 17                     | Schnecken Zahnrad doppelt Z=16/17<br>Worm gear wheel double                         | 86419               | 6                            |
| 18                     | Zahnrad Z=17 M=0,4<br>Gear wheel  | 86418               | 5                            |
| 19                     | Zahnrad Z=12 M0,4<br>Gear wheel   | 94953               | 3                            |
| 20                     | Radsatz m. Zahnrad o. Hafring<br>Wheelset w.gear wheel w/o traction tyre            | 141160              | 12                           |
| 21                     | GF-Schraube M1,6x4 mm<br>Self-tapping screw   | 114850              | 3                            |
| 22                     | Radsatz m.2 Hafringen+Zahnrad<br>Wheelset w.2 traction tyres w.gear wheel           | 141161              | 13                           |
| 23                     | Grundrahmen<br>Basic frame  | 141135              | 16                           |
| 24                     | Zugfeder - 2,5x5,8x0,15 mm<br>Draw spring   | 86208               | 3                            |
| 25                     | GF-Schraube M2x6 mm<br>Self-tapping screw   | 114828              | 3                            |
| 26                     | Lager f. Schneckenachse D=2H7<br>Bearing for worm gear axle                         | 89749               | 6                            |
| 27                     | Beilagescheibe 2,1x4/0,2mm<br>Washer  | 86108               | 3                            |
| 28                     | Pufferflansch links und rechts Vitrine<br>Buffer flange left and right for showcase | 141162              | 4                            |
| 29                     | Kurzkupplung - Vorentkupplung<br>Short coupling- pre-uncoupling                     | 115550              | 6                            |
| 30                     | Schnecke<br>Wormgear  | 86704               | 6                            |
| 31                     | Zurüstbeutel<br>Bag of accesories   | 149571              | 19                           |
| 32                     | Treppe<br>Step  | 149305              | 4                            |
| 33                     | Zurüstbeutel 2<br>Bag of accesories 2   | 149846              | 16                           |
| <b>AC-Wechselstrom</b> |   |                     |                              |
| 34                     | Getriebeboden AC<br>Gear bottom AC  | 130040              | 8                            |
| 35                     | Radsatz m.Zahnrad o.Hafring AC<br>Wheelset w.gear wheel w/o traction tyre AC        | 141167              | 12                           |
| 36                     | Radsatz o.Hafring o.Zahnrad AC<br>Wheelset w/o traction tyre w/o gear wheel AC      | 141242              | 11                           |
| 37                     | Schraube M1,5x5 mm<br>Screw   | 108137              | 3                            |
| 38                     | Schleifer 42 mm<br>Slider   | 86030               | 14                           |
| 39                     | Radsatz m.2 Hafringen m.Zahnrad AC<br>Wheelset w.2 traction tyres w.gear wheel AC   | 141168              | 13                           |

Ersatzteile erhalten Sie direkt unter [www.roco.cc](http://www.roco.cc), bei Ihrem Fachhändler.  
Spare parts can be ordered directly at [www.roco.cc](http://www.roco.cc) and from your local dealer.